

HELI

S SERIES Reliable forklift



1-3.5 ton
ENGINE POWERED
FORKLIFT

STANDARD EQUIPMENT

- Hour meter
- Horn
- Oil pressure alarm
- Three-spool control valve
- Power steering
- Rubber pedal pad
- Backrest
- Back view mirror
- Front combined lights
- Transmission oil filter
- Engine flameout device
- Parking brake cable
- Water temperature meter
- Attached tools
- Rear combined lights
- Reversing buzzer
- Self-locking tilt valve
- Tilt adjustable steering column
- Power brake(2-3.5t)
- Overhead guard
- Standard forks
- Neutral switch
- Hydraulic circuit oil filter
- Radiator tank
- Speed-limiting valve
- Oil meter
- Battery-charge indicator
- Wide-view mast
- Intake device
- Durable tire
- Operating handles
- Traction pin
- Standard seat
- Hydraulic oil gauge
- Overhead guard raincoat
- Torque converter oil gauge
- Combined display
- Central control box

OPTIONS

- Cab
- Rotating warning light
- Vertical exhaust
- Double air filter
- Suspension seat
- Extended fork sleeve
- Heater
- Solid tire
- Widening fork carriage
- Windglass
- Purifying muffler
- Fire muffler
- Fire extinguisher
- Rear lights
- Air conditioning (some models)
- Electro-hydraulic switch
- OPS driving control
- Torque converter oil temperature meter
- Tilt cylinder sleeve
- Steering cylinder sleeve
- User-specified color
- Optional attachments
- Dual tires and protective devices
- LPG with the flip seat
- LPG single and dual-fuel system
- Side shifter
- Steel protective fences

ANHUI HELI CO., LTD.
 NO.668 Fangxing Street,Economical Development Zone,
 Hefei ,P.R.China
 TEL:(86 55 1)63639068,63639258,63639358,63662105
 FAX:(86 55 1)63639966
 WEBSITE:<http://www.helichina.net>

* Details of specifications and equipment are based on information available at the time of printing and may change without notice.

AUTHORIZED DEALER

22 YEARS TOP1 FORKLIFT MANUFACTURING AND SALE
 IN CHINA CONTINUOUSLY FOR 22 YEARS

© 2013 heli copyright

Catalog No.2013.12 HELI Print

1-3.5 ton
ENGINE POWERED
FORKLIFT

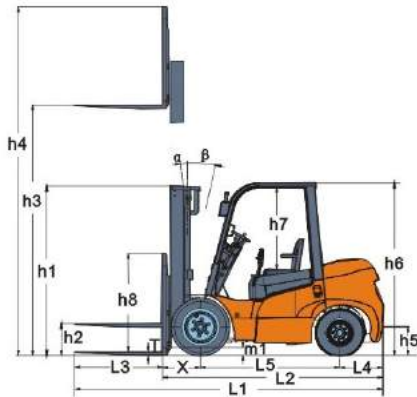


S SERIES Reliable forklift

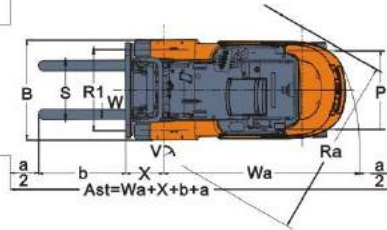
HELI

CHINESE EXPORT BRAND

Recommended
 By China Chamber of Commerce for Import and Export of Machinery
 And Electric Products

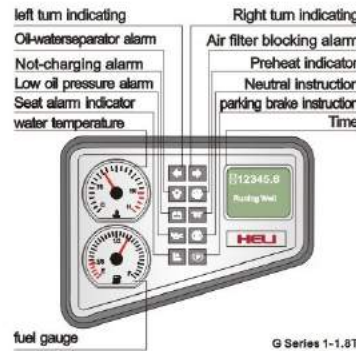
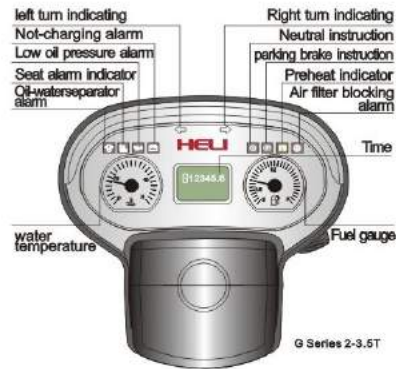
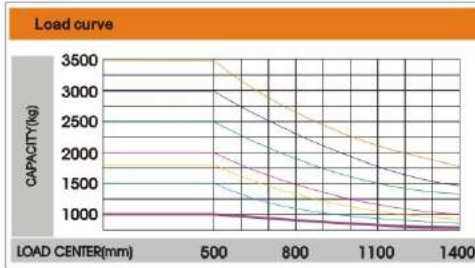


Ast: Aisel width with load
a: Clearance
b: Length Of Loading



CPQD10/CPCD10 CPQD15/CPCD15 CPQD18/CPCD18
CPQD35/CPCD35 CPQD30/CPCD30 CPQD25/CPCD25 CPQD20/CPCD20

Note:
Vertical axle stands for load capacity while horizontal axle stands for load center. Load center is the distance counted from the front of the fork. The base point of the standard load is the center point of the cubic with the same 1000mm dimension in length, width and height. The load capacity should be down, if mast lifts forward, using non-standard forks or loading goods with extra width. Please notice the different load capacity between different load centers according to load chart.



Engine Model and Main Specification for Option

| Internal Combustion Engine Model | Internal Combustion Engine Rate horse power | Internal Combustion Engine Rate torque | Internal Combustion Engine Displacement | Internal Combustion Engine Number of Cylinder |
|----------------------------------|---|--|---|---|
| ISUZU4JG2 | 44.9/2450 | 184.7/1600-1800 | 3.05 | 4 |
| ISUZUC240 | 35.4/2500 | 139.9/1800 | 2.369 | 4 |
| JMC493 | 39/2500 | 165/1800 | 2.771 | 4 |

WIDE VIEW MAST

| Mast model | Max. fork height (mm) | Capacity at 500mm; Load center (kg) | | | | | | | | | | Overall Mast Height (mm) | | | | | | Tilting Angle | | Service Weight (kg) | | | | | |
|------------|-----------------------|-------------------------------------|---------------|---------------|---------------|---------------|---------------|---------------|-------|-------|------|--------------------------|-------|-------|------|-------|-------|---------------|---------------|---------------------|---------------|---------------|---------------|---------------|---------------|
| | | CPQD10/CPCD10 | CPQD15/CPCD15 | CPQD18/CPCD18 | CPQD20/CPCD20 | CPQD25/CPCD25 | CPQD30/CPCD30 | CPQD35/CPCD35 | 1-1.8 | 2-2.5 | 3 | 3.5 | 1-1.8 | 2-2.5 | 3 | 3.5 | 1-1.8 | 2-3.5 | CPQD10/CPCD10 | CPQD15/CPCD15 | CPQD18/CPCD18 | CPQD20/CPCD20 | CPQD25/CPCD25 | CPQD30/CPCD30 | CPQD35/CPCD35 |
| M200 | 2000 | 1000 | 1500 | 1750 | 2000 | 2500 | 3000 | 1485 | 1600 | 1670 | 1690 | 620 | 460 | 340 | 480 | 5-10° | 6-12° | 2265 | 2725 | 2945 | 3440 | 3760 | 4320 | 4820 | |
| M220 | 2500 | 1000 | 1500 | 1750 | 2000 | 2500 | 3000 | 1745 | 1760 | 1820 | 1830 | 720 | 740 | 550 | 750 | 5-10° | 6-12° | 2265 | 2725 | 2935 | 3440 | 3760 | 4380 | 4980 | |
| M330 | 3500 | 1000 | 1500 | 1750 | 2000 | 2500 | 3000 | 1985 | 2000 | 2060 | 2070 | 970 | 990 | 840 | 1050 | 5-10° | 6-12° | 2265 | 2725 | 2940 | 3440 | 3820 | 4400 | 5000 | |
| M350 | 3500 | 1000 | 1500 | 1750 | 2000 | 2500 | 3000 | 2245 | 2260 | 2320 | 2330 | 1240 | 1260 | 1050 | 1350 | 5-10° | 6-12° | 2385 | 2865 | 3075 | 3670 | 3980 | 4480 | 5040 | |
| M370 | 3700 | 1000 | 1500 | 1750 | 2000 | 2500 | 3000 | 2345 | 2360 | 2420 | 2430 | 1320 | 1340 | 1120 | 1420 | 5-10° | 6-12° | 2400 | 2870 | 3090 | 3670 | 4000 | 4520 | 5080 | |
| M400 | 4000 | 1000 | 1500 | 1750 | 2000 | 2500 | 3000 | 2545 | 2560 | 2620 | 2630 | 1520 | 1540 | 1300 | 1600 | 5-10° | 6-12° | 2480 | 2920 | 3140 | 3810 | 3980 | 4480 | 5080 | |
| M425 | 4250 | 980 | 1400 | 1550 | 1800 | 2250 | 2650 | 1995 | 2000 | 2060 | 2070 | 2870 | 2875 | 2745 | 2855 | 5-10° | 6-12° | 2405 | 2885 | 3075 | 3590 | 3900 | 4600 | 5100 | |
| M450 | 4500 | 980 | 1300 | 1550 | 1800 | 2150 | 2750 | 2795 | 2800 | 2870 | 2880 | 3045 | 3050 | 3120 | 3230 | 5-10° | 6-12° | 2420 | 2890 | 3080 | 3600 | 3920 | 4520 | 5120 | |
| M500 | 5000 | 980 | 1200 | 1400 | 1650 | 1850 | 2400 | 3045 | 3050 | 3120 | 3230 | 3345 | 3350 | 3420 | 3530 | 5-10° | 6-12° | 2455 | 2915 | 3125 | 3640 | 3960 | 4560 | 5160 | |
| M550 | 5500 | 950 | 1150 | 1350 | 1600 | 1750 | 2200 | 3345 | 3350 | 3420 | 3530 | 3645 | 3650 | 3720 | 3830 | 5-10° | 6-12° | 2520 | 3080 | 3290 | 3820 | 4000 | 4600 | 5200 | |
| M600 | 6000 | 950 | 1100 | 1300 | 1550 | 1700 | 1900 | 3545 | 3550 | 3620 | 3730 | 3845 | 3850 | 3920 | 4030 | 5-10° | 6-12° | 2580 | 3140 | 3320 | 3720 | 4040 | 4640 | 5240 | |

NOTE: 1-1.8T(1)Max lifting without lift-bracket:-370mm.
(2)Max lifting without lift-bracket:-370mm.
2-3.5T(1)Dual wheels weight:+110kg.
(2)Front wheel is dual wheels load capacity.

WIDE VIEW FULL FREE 2-STAGE MAST

| Mast model | Max. fork height (mm) | Capacity at 500mm; Load center (kg) | | | | | | | | | | Overall Mast Height (mm) | | | | | | Free Lift (with Backrest) | | Tilting Angle | | Service Weight (kg) | | | | | |
|------------|-----------------------|-------------------------------------|---------------|---------------|---------------|---------------|---------------|---------------|-------|-------|------|--------------------------|-------|-------|------|-------|-------|---------------------------|---------------|---------------|---------------|---------------------|---------------|---------------|---------------|--|--|
| | | CPQD10/CPCD10 | CPQD15/CPCD15 | CPQD18/CPCD18 | CPQD20/CPCD20 | CPQD25/CPCD25 | CPQD30/CPCD30 | CPQD35/CPCD35 | 1-1.8 | 2-2.5 | 3 | 3.5 | 1-1.8 | 2-2.5 | 3 | 3.5 | 1-1.8 | 2-3.5 | CPQD10/CPCD10 | CPQD15/CPCD15 | CPQD18/CPCD18 | CPQD20/CPCD20 | CPQD25/CPCD25 | CPQD30/CPCD30 | CPQD35/CPCD35 | | |
| ZM200 | 2000 | 1000 | 1500 | 1750 | 2000 | 2500 | 3000 | 1485 | 1600 | 1670 | 1690 | 620 | 460 | 340 | 480 | 5-10° | 6-12° | 2265 | 2725 | 2945 | 3440 | 3760 | 4370 | 4870 | | | |
| ZM250 | 2500 | 1000 | 1500 | 1750 | 2000 | 2500 | 3000 | 1745 | 1760 | 1820 | 1830 | 720 | 740 | 550 | 750 | 5-10° | 6-12° | 2265 | 2785 | 3005 | 3480 | 3800 | 4410 | 5010 | | | |
| ZM330 | 3500 | 1000 | 1500 | 1750 | 2000 | 2500 | 3000 | 1985 | 2000 | 2060 | 2070 | 970 | 990 | 840 | 1050 | 5-10° | 6-12° | 2265 | 2820 | 3040 | 3520 | 3840 | 4450 | 5050 | | | |
| ZM350 | 3500 | 1000 | 1500 | 1750 | 2000 | 2500 | 3000 | 2245 | 2260 | 2320 | 2330 | 1240 | 1260 | 1050 | 1350 | 5-10° | 6-12° | 2385 | 2865 | 3075 | 3670 | 3980 | 4480 | 5040 | | | |
| ZM370 | 3700 | 1000 | 1500 | 1750 | 2000 | 2500 | 3000 | 2345 | 2360 | 2420 | 2430 | 1320 | 1340 | 1120 | 1420 | 5-10° | 6-12° | 2400 | 2870 | 3090 | 3670 | 4000 | 4520 | 5080 | | | |
| ZM400 | 4000 | 1000 | 1500 | 1750 | 2000 | 2500 | 3000 | 2545 | 2560 | 2620 | 2630 | 1520 | 1540 | 1300 | 1600 | 5-10° | 6-12° | 2480 | 2920 | 3140 | 3810 | 3980 | 4480 | 5080 | | | |
| ZM425 | 4250 | 980 | 1400 | 1550 | 1800 | 2250 | 2650 | 1995 | 2000 | 2060 | 2070 | 2870 | 2875 | 2745 | 2855 | 5-10° | 6-12° | 2405 | 2885 | 3075 | 3590 | 3900 | 4600 | 5100 | | | |
| ZM450 | 4500 | 980 | 1300 | 1550 | 1800 | 2150 | 2750 | 2795 | 2800 | 2870 | 2880 | 3045 | 3050 | 3120 | 3230 | 5-10° | 6-12° | 2420 | 2895 | 3175 | 3680 | 3980 | 4580 | 5180 | | | |
| ZM500 | 5000 | 980 | 1200 | 1400 | 1650 | 1850 | 2400 | 3045 | 3050 | 3120 | 3230 | 3345 | 3350 | 3420 | 3530 | 5-10° | 6-12° | 2455 | 2915 | 3210 | 3710 | 4030 | 4620 | 5220 | | | |
| ZM550 | 5500 | 950 | 1150 | 1350 | 1600 | 1750 | 2200 | 3345 | 3350 | 3420 | 3530 | 3645 | 3650 | 3720 | 3830 | 5-10° | 6-12° | 2520 | 3165 | 3385 | 3780 | 4170 | 4880 | 5380 | | | |
| ZM600 | 6000 | 950 | 1100 | 1300 | 1550 | 1700 | 1900 | 3545 | 3550 | 3620 | 3730 | 3845 | 3850 | 3920 | 4030 | 5-10° | 6-12° | 2580 | 3200 | 3420 | 3790 | 4110 | 4710 | 5310 | | | |

NOTE: 1-1.8T(1)Max lifting without lift-bracket:-370mm.
(2)Free lifting height without bracket:-+370mm.
(3)Front wheel is dual wheels load capacity.
2-3.5T(1)Free lifting height without bracket:-+397mm.
3t Free lifting height without bracket:-+400mm.
3.5t Free lifting height without bracket:-+412mm.
(2)Dual wheels weight:+110kg.
(3)Front wheel is dual wheels load capacity.

WIDE VIEW FULL FREE 3-STAGE MAST

| Mast model | Max. fork height (mm) | Capacity at 500mm; Load center (kg) | | | | | | | | | | Overall Mast Height (mm) | | | | | | Free Lift (with Backrest) | | Tilting Angle | | Service Weight (kg) | | | | | |
|------------|-----------------------|-------------------------------------|---------------|---------------|---------------|---------------|---------------|---------------|-------|-------|------|--------------------------|-------|-------|------|------|-------|---------------------------|---------------|---------------|---------------|---------------------|---------------|---------------|---------------|--|--|
| | | CPQD10/CPCD10 | CPQD15/CPCD15 | CPQD18/CPCD18 | CPQD20/CPCD20 | CPQD25/CPCD25 | CPQD30/CPCD30 | CPQD35/CPCD35 | 1-1.8 | 2-2.5 | 3 | 3.5 | 1-1.8 | 2-2.5 | 3 | 3.5 | 1-1.8 | 2-3.5 | CPQD10/CPCD10 | CPQD15/CPCD15 | CPQD18/CPCD18 | CPQD20/CPCD20 | CPQD25/CPCD25 | CPQD30/CPCD30 | CPQD35/CPCD35 | | |
| ZM300 | 3000 | 1000 | 1450 | 1750 | 2000 | 2400 | 2900 | 1790 | 1795 | 1950 | 1960 | 770 | 785 | 740 | 540 | 5-4° | 6-4° | 2395 | 2985 | 3085 | 3640 | 3980 | 4550 | 5150 | | | |
| ZM400 | 4000 | 1000 | 1400 | 1600 | 1900 | 2400 | 2900 | 1915 | 1920 | 2055 | 2065 | 890 | 910 | 885 | 870 | 5-4° | 6-4° | 2420 | 2990 | 3110 | 3690 | 3980 | 4580 | 5180 | | | |
| ZM450 | 4250 | 900 | 1350 | 1550 | 1850 | 2200 | 2800 | 2040 | 2045 | 2180 | 2190 | 1020 | 1035 | 990 | 995 | 5-4° | 6-4° | 2445 | 2915 | 3135 | 3680 | 4010 | 4610 | 5200 | | | |
| ZM480 | 4500 | 900 | 1300 | 1500 | 1750 | 2150 | 2700 | 2090 | 2095 | 2230 | 2230 | 1070 | 1085 | 1040 | 1045 | 5-4° | 6-4° | 2475 | 2920 | 3145 | 3700 | 4020 | 4620 | 5220 | | | |
| ZM490 | 4700 | 900 | 1300 | 1450 | 1700 | 2000 | 2600 | 2190 | 2190 | 2230 | 2230 | 1140 | 1150 | 1040 | 1045 | 5-4° | 6-4° | 2495 | 2930 | 3155 | 3700 | 4020 | 4620 | 5220 | | | |
| ZM480 | 4800 | 900 | 1100 | 1400 | 1700 | 1950 | 2500 | 2190 | 2195 | 2330 | 2330 | 1170 | 1185 | 1140 | 1145 | 5-4° | 6-4° | 2495 | 2945 | 3160 | 3720 | 4040 | 4640 | 5240 | | | |
| ZM500 | 5000 | 900 | 1100 | 1350 | 1650 | 1900 | 2300 | 2220 | 2225 | 2360 | 2360 | 1270 | 1285 | 1240 | 1245 | 5-4° | 6-4° | 2520 | 2960 | 3185 | 3740 | 4060 | 4660 | 5260 | | | |
| ZM540 | 5400 | 900 | 1050 | 1300 | 1600 | 1850 | 2400 | 2415 | 2420 | 2555 | 2555 | 1390 | 1410 | 1395 | 1370 | 3-4° | 3-4° | 2540 | 2985 | 3205 | 3770 | 4090 | 4690 | 5290 | | | |
| ZM600 | 6000 | 900 | 1000 | 1250 | 1550 | 1800 | 2100 | 2540 | 2545 | 2680 | 2680 | 1620 | 1635 | 1590 | 1585 | 3-4° | 3-4° | 2600 | 3045 | 3265 | 3800 | 4120 | 4720 | 5320 | | | |

NOTE: 1-1.8T(1)Max lifting without lift-bracket:-370mm.
(2)Free lifting height without bracket:-+370mm.
(3)Front wheel is dual wheels load capacity.
2-3.5T(1)Free lifting height without bracket:-+397mm.
3t Free lifting height without bracket:-+400mm.
3.5t Free lifting height without bracket:-+412mm.
(2)Dual wheels weight:+110kg.
(3)Front wheel is dual wheels load capacity.



ENGINE POWERED
FORKLIFT

1-3.5 ton

GSERIES

Reliable forklift

A reliable mast



The impact and vibration of mast are reduced significantly by using buffer device. Through finite element analysis plus optimizing the structural parameters, the vibration acceleration is reduced by 40%.

More scientific and environmental design



Equipped with high-quality engine, the emission meets the latest European EC and the EPA environmental regulation. The use of Non-asbestos insulation equipment is very effective to lower down the noise.

The innovative design and optimized configuration of the lifting system improve the operators' visibility greatly, and provide a clear and accessible focus of vision to ensure the safety & efficiency of operating.

More powerful



G series forklifts greatly enhance various aspects of key performances particularly in power performance through reducing the losses of engine torque nearly twice as before.

↑ 8.2%
THE MAXIMUM LIFTING
SPEED IS INCREASED

↑ 3%
THE GRADEABILITY IS
INCREASED

↓ 2%
THE FUEL CONSUMPTION
IS REDUCED

↑ 9%
THE MAXIMUM DRAW-
BAR PULL IS INCREASED



Profiled steel for overhead guard

As the first forklift producer to use profiled steel for overhead guard in China, our G series forklift is available with embedded cabin doors to ensure more safety and seal performance.

Greatly enhanced frame strength

G Series forklifts have much stronger frame structure, while its structural strength meets the ANSI/ISO/FB66.1 (American National Regulation) requirements.

More comfortable ergonomic design



Through optimum design of the hood and tilt cylinder, the space for driver's leg is twice wider than other models, the bigger footplate make the operators to get on and off with ease. Such capacious space ensures the operating more comfortable.



The sedan-type display and double-handle combined F/R direction switch to ensure more convenient and smooth operation.

Laborsaving mini-type steering wheel. Suspension seat with armrests, seat belts. Safe and comfortable.

Excellent safety performance

